

Automag

Self Purging Magnetic Filter – High Intensity

Datasheet no. 404

The patented Automag unit is the latest generation of self-purging high intensity magnetic filters for high flow, high contamination industrial applications.

The Automag has two flow chambers. Fluid enters the inlet chamber where primary filtration takes place. The partly treated fluid flows into a second chamber where it is slowed down so that the final filtration treatment can take place. It then returns to the process.

Installing Automag will improve your manufacturing effectiveness and reduce operator intervention.

Using fully filtered fluid, free from micron sized particles will:

- Improve surface finish
- Extend tool/wheel life
- Improve fluid flow
- Cut costs on scrap reduction
- Reduce downtime

All applications, which use pumped cutting fluids will benefit from using this equipment.

Typical Applications

- Grinding
- Honing
- Milling
- Fine finishing

Cleaning

A signal from your control system activates the outlet valve (not included) so fluid is redirected to a purge tank or reclamation unit (available as an option), then the centrally positioned pneumatic cylinder withdraws the magnetic elements from the filter.

When the contamination has been purged the magnetic elements are reinserted and the outlet valve is returned to position, bringing the unit back online. The complete cleaning cycle takes 10-15 seconds depending on fluid type and filter location.

Suitable Fluids

Oil, coolant, water.

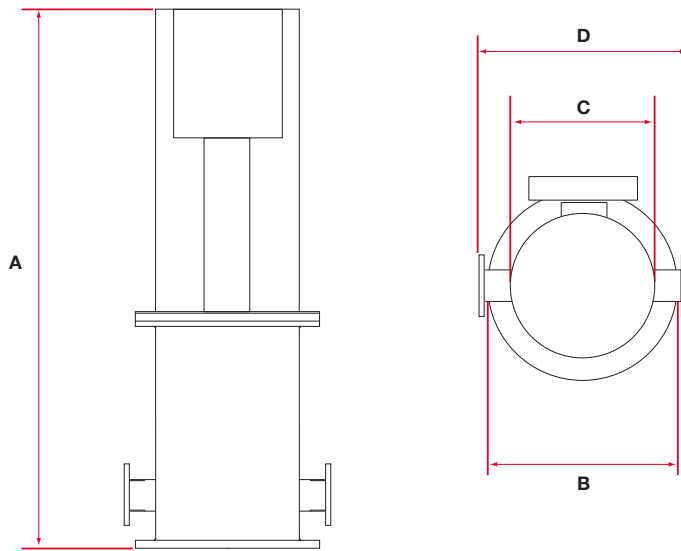
Suitable Locations

Pre- & post-fluid holding tank, machine or process.

Benefits

- Double magnetic length
- High collection capacity
- Removes micron sized contamination
- Self purging
- Rare earth high intensity magnetic material
- Compact
- No maintenance





Product Information

Product number	Max. flow rate Gallons/min	Contamination capacity lbs	Max. operating pressure PSI	Connection Flanged (in)	Dimensions Inches			
					A	B	C	D
AMC	52	5	145	1½	28.7	9.0	7.9	11.8
AM6	119	15	145	2	41.9	15.5	10.8	17.7
AM12	238	30	145	3	45.0	22.2	15.9	24.4

Performance

Maximum Pressure	145psi
Magnetic Performance	AM6 & AM12 9000 Gauss, AMC 6000 Gauss
Performance Reading	On tube surface
Magnetic Material	rare earth neodymium iron boron
Magnet Grade	N45 – Inspected & confirmed via hystero-graph prior to use
Temperature	41–158 F

Materials

Filter Body	304 Grade stainless steel, powder coated white
Filter Cover	304 Grade stainless steel, powder coated silver
Control Box	Aluminium, powder coated white
Pneumatic Cylinder	Festo
Solenoid Valve	ASCO
Limit Switch	Proximity Sensors, RS origin

Options

- Simple timer control box
- Purge valve arrangement
- Super high flow rate systems
- Pre-programmed PLC controls
- Complete mounting skid arrangement
- Purge fluid collection tank and reclaim system

If you have any more questions, require technical assistance or would like a quotation, please contact us.

www.eclipsetoolsinc.com

Eclipse Tools North America Inc.

442 Millen Road, Unit #9, Stoney Creek, Ontario, L8E 6H2, Canada
 T 1-800-260-2124 F 1-800-260-1410
 sales@eclipsetoolsinc.com www.eclipsetoolsinc.com



A world leader in magnetic technology

