

24/7, Fully Automated, PLC Controlled Magnetic Filtration System

The Automag Skid is a self-contained, free standing magnetic filtration system providing uninterrupted 24/7 magnetic filtration. The skid can be used in-line or, with the optional integral pump, off-line.

A patented Automag self-purging magnetic filter removes magnetic and para-magnetic contamination, down to sub-micron size, from coolants and lubricants. The filter holds the contamination until it is released during the automated 'purge' process.

Typical Applications

- Grinding
- Honing
- Milling
- Fine finishing

Suitable Fluids

Oil, coolant, water.

Suitable Locations

Pre- & post-fluid holding tank, machine or process.

Benefits

- Double magnetic length
- High collection capacity
- Removes micron sized contamination
- Self purging
- Rare earth high intensity magnetic material
- Compact
- No maintenance

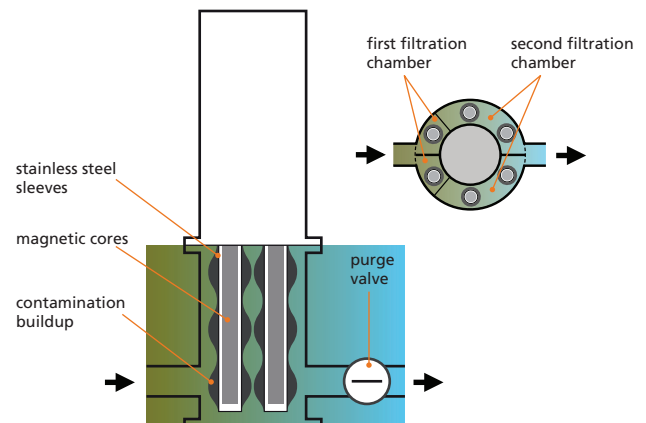
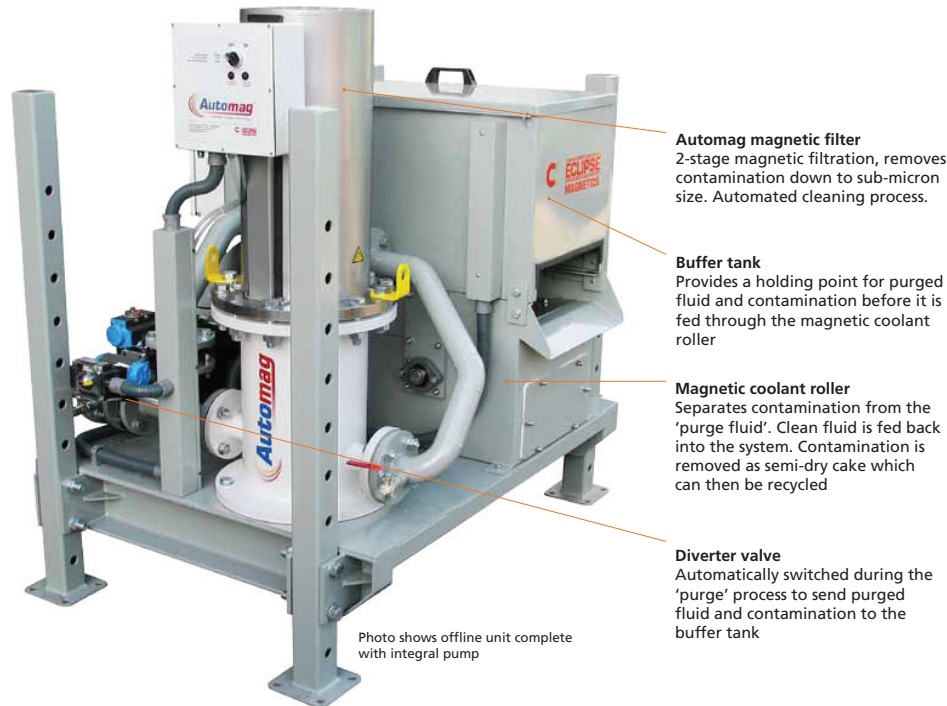
The Process

Contamination fluid enters the inlet port where it is dispersed into the first filtration chamber. The fluid passes around the high-intensity 'rare-earth' magnetic cores where contamination particles are removed. The fluid is slowed and enters the second filtration chamber where it receives further filtration.

Contamination remains attached to the stainless steel sleeves of the cores. The filtered fluid exits through the outlet port.

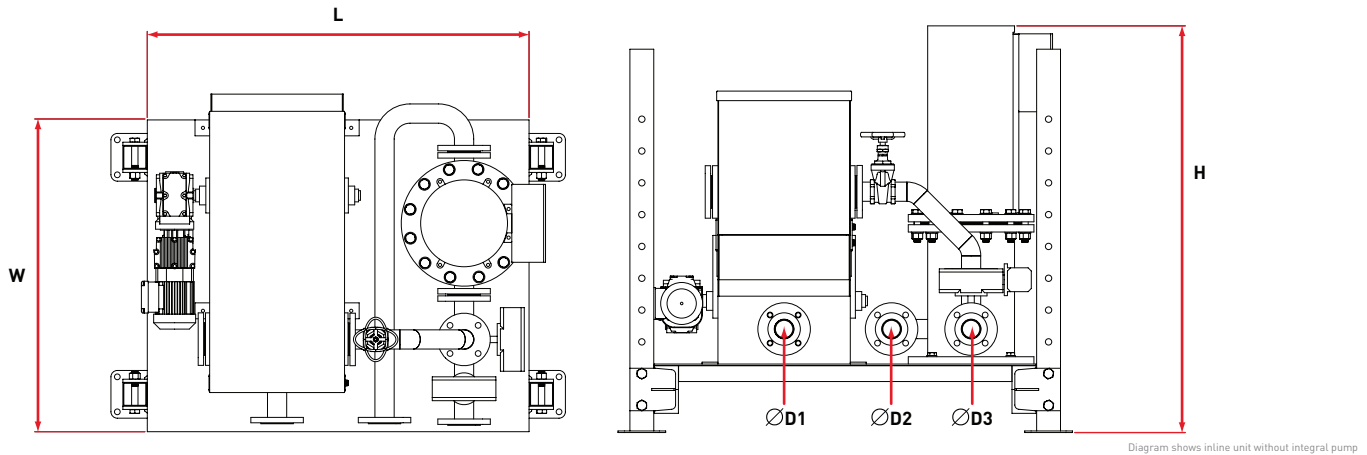
The purging process is fully automated. The cores are raised from the sleeves and the purge valve is switched. Fluid is pumped through the filter, washing the contamination from the stainless steel sleeves and carrying it into the buffer tank.

The fluid is then slowed and passed onto the coolant roller. This purged fluid is highly contaminated. The flow rate and high magnetic strength of the roller ensures that contamination removal is extremely efficient. The clean fluid is then re-circulated; the contamination is scraped from the roller and collected for disposal or recycling.



Technical Data

Product No. (Skid)	Max. Flow Rate Gallons	Contamination Capacity lbs	Max. Operating Pressure PSI	Connection Flanged "
AMC (AMCS1)	52	5	145	1½
AM6 (AM6S1)	119	15	145	2
AM12 (AM12S1)	238	30	145	3



Product No.	W inches	L inches	H inches	D1 inches	D3 inches	D3 inches	Flanges
AMCS1	35	35	67	2	1½	1½	ANSI
AM6S1	39	47	51	3	2	2	ANSI
AM12S1	47	55	55	3	3	3	ANSI

Product Data

Self contained filtration and fluid recovery system for higher flow, higher contamination applications. 24/7 automated operation.

Inline/offline filtration

Automatic self-cleaning filter (air operated)

Magnetic coolant roller for full recovery of fluid used in cleaning process

Temp. range: 5°C to 70°C (filter unit) / 41°F to 158°F (filter unit)

*Units can be supplied with a single filter, or double filters for duplex operation.

If you have any more questions, require technical assistance or would like a quotation, please contact us.

www.eclipsetoolsinc.com

Eclipse Tools North America Inc.

442 Millen Road, Unit #9, Stoney Creek, Ontario, L8E 6H2, Canada

T 1-800-260-2124 F 1-800-260-1410

sales@eclipsetoolsinc.com

www.eclipsetoolsinc.com

While every effort has been made to ensure the accuracy of the information in this publication please note that specifications may change without notice.



A world leader in magnetic technology