



Simple, Versatile, Convenient, "Off-Line" Fluid Cleaning



The **Filtramag+** mobile unit is an **off-line** filtration system for cleaning oils and coolants. Featuring the high performance **Filtramag+** magnetic filter, this “**plug and play**” unit offers efficient **sub-micron filtration** and can be moved easily from machine to machine.

Supplied with an integral pump, spare magnetic core and connection hoses, the **Filtramag+** mobile unit provides **24/7 filtration** on a multitude of machining applications. The unit also features an integral cleaning station with built in waste containers, making it easy to collect ferrous contamination for recycling.

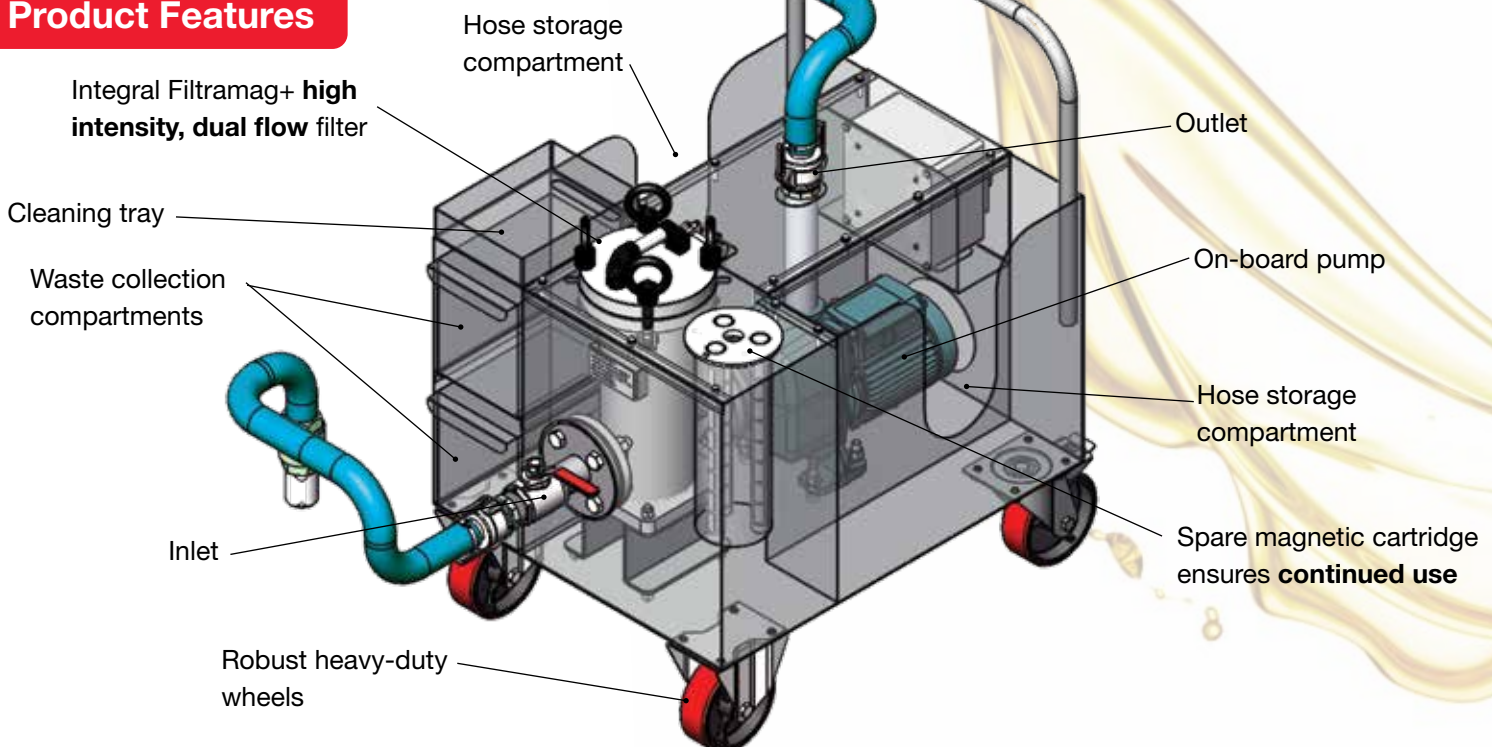
Benefits

- Simple, “**Quick-Connect**” installation
- High performance, **sub-micron filtration**
- Cleaner, **longer lasting fluids**
- **Cost savings** in disposable filter usage
- Improved surface **finish** and **accuracy**
- **Reduced waste** disposal and oil wastage

Typical Applications

- Ferrous machining processes
- Tank draining
- Tank cleaning
- Overnight fluid cleaning
- Additional filtration
- Incoming fluid inspection
- Carbide applications

Product Features



Product Specifications

Performance

Maximum flow rate: 66 gpm

Magnetic performance: 4,000 Gauss (standard),
11,000 Gauss (optional)

Contamination collection capacity: 6.6 lbs

Operating temperature: 23°F to 140°F

Maximum suction height: 42.3 ft

Construction

Magnet material: Rare Earth Neodymium Iron Boron (NdFeB)

Magnet grade: N35 (standard), N45 (optional)

Filter housing: 304 grade stainless steel (powder coated)

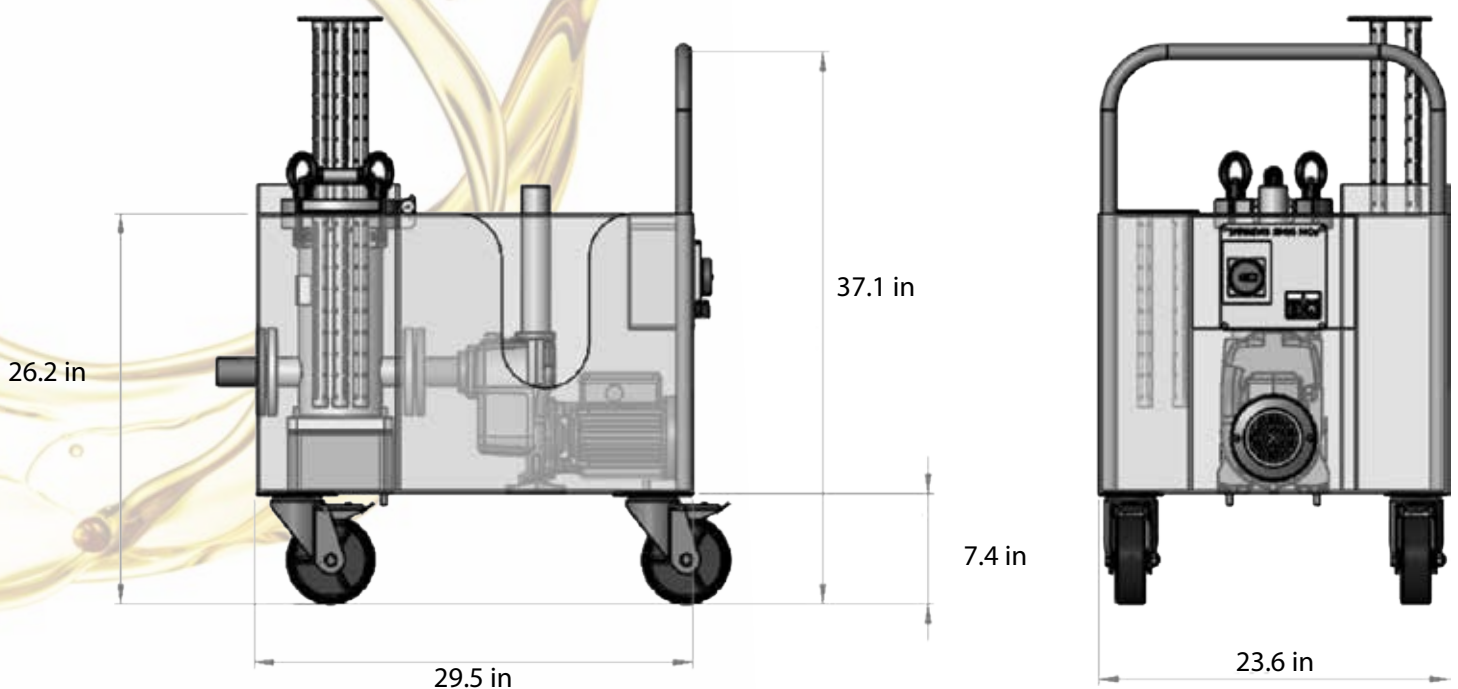
Unit body: Mild steel (painted)

Pump: Self priming AM 40-110B, single phase, 110V, 60HZ

Hoses: 10 ft long inlet and outlet hoses included, made from oil resistant PVC material, supplied with Cam lock connections



Technical Data



In addition to Filtramag+ Mobile we also offer a range of other filtration options:

Micromag



Flow rates
up to
40 gpm

Compact magnetic filter for standard machine filtration, smaller wash stations.

Filtramag+



Flow rates
up to
132 gpm

Filtramag+ is ideal for use in harsh chemical environments and wash systems.

Automag



Flow rates
up to
476 gpm

The fully automated unit with integral waste reclaim. Ideal for 24/7 high volume single or multi-cell machining applications.

AM32 Skid Engineered Solution



Flow rates
up to
~2600 gpm

For large scale wash system applications. Fully automated cleaning system.

Ultrafiltrex



**PIPELINE
PROTECTION**

The high performance solution for gas and oil pipeline corrosion.

BoilerMag



**HEATING
SYSTEM
PROTECTION**

Removes black iron oxide from heating and cooling systems, improving efficiency, reducing CO2 emission, and protecting boilers.

Eclipse Magnetics

442 Millen Road Unit 9, Stoney Creek, ON L8E 6H2

T 1-800-260-2124 F 1-800-260-1410

sales@eclipsetoolsinc.com www.eclipsemagnetics.com/na

While every effort has been made to ensure the accuracy of the information in this publication please note that specifications may change without notice.



FM31278 EMS616377



Eclipse Magnetics Innovative Magnetic Solutions

