

High intensity magnetic filter

Filtramag+ is a high performance magnetic filter with full stainless steel construction which makes it suitable for use in a variety of industry sectors and applications.

- Patented design
- Easy installation
- Unique dual flow technology™ – maximises collection capability
- Operates at up to 290psi bar
- Removes both magnetic and non-magnetic contamination
- Minimal pressure drop
- In-line connections
- Ideal for use in harsh chemical environments

Dual flow technology™

Filtramag+ is the most efficient filter of its type. The dual chambered design means that fluid is exposed to the high intensity magnets for the maximum time thus ensuring almost 100% of contamination is removed on first pass through the filter. The patented magnetic circuit on the 4,000 gauss version design ensures that the filter can never block even in high contamination applications.

Magnetic core options

High intensity magnetic cores ensure particle filtration down to sub-micron size. For standard machining or wash system applications a 4,000 gauss magnetic core pack is available. For applications which involve lower magnetically permeable materials e.g. Cast Iron and Carbide or require an ultra-precise surface finish an 11,000 gauss magnetic core pack is available.

Benefits

Using fully filtered fluids, free from ferrous particles provides:-

- Improved surface finish
- Cost savings on disposable filtration media
- Extended fluid lifespan
- Reductions in waste disposal
- Longer lasting tools and machinery



Suitable fluids

Oil, coolants, fuel, ink, paint, chemicals.

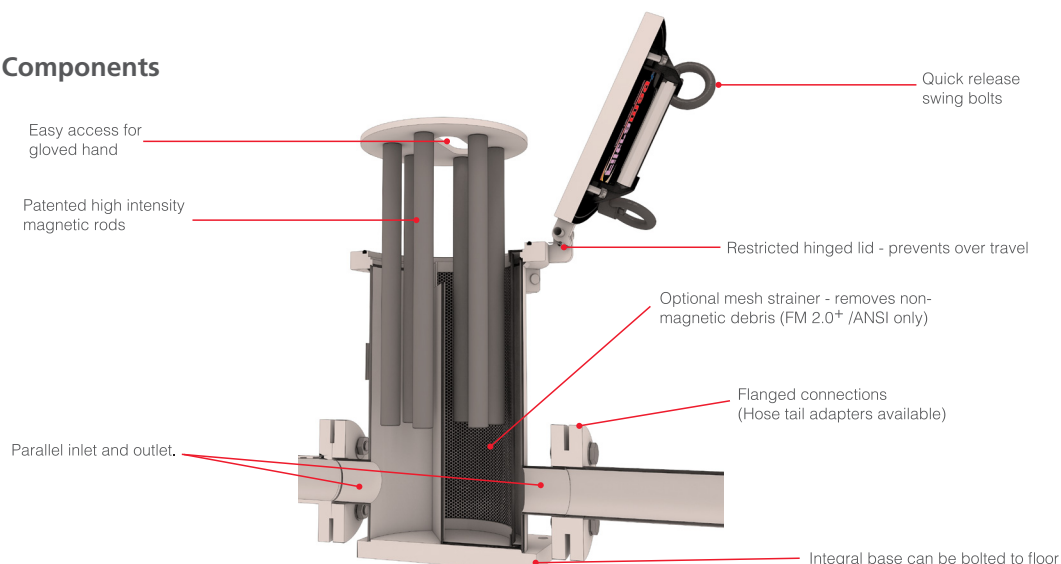
Suitable locations

Pre & Post fluid holding tank, machine or process

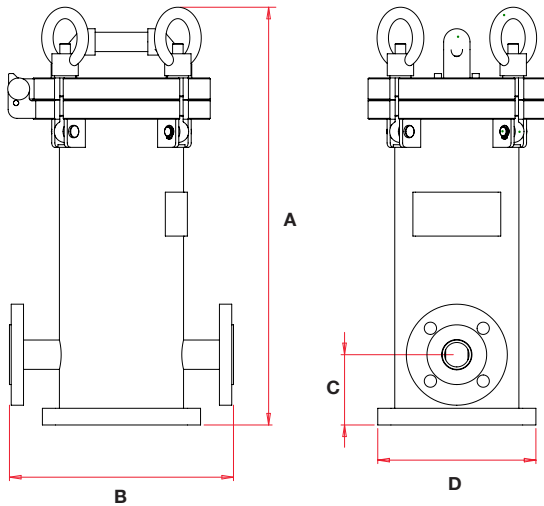
Typical applications

- With carbide or cast iron materials
- General machining operations
- Inks/paints
- Wash systems
- Diesel/gasolene
- Slurry/glazes

Filtramag+ Components



Technical Data



Product number	Max. flow rate Gallons	Contamination capacity lbs	Max. operating pressure PSI	Connection ANSI "	Dimensions inches			
					A	B	C	D
FM1.5 ⁺ /ANSI	66	6.6	290	1½	15.5	10	3.9	7.1
FM2.0 ⁺ /ANSI	132	13.2	290	2	17.4	13	3.9	9.8

Part Numbers (including spares)

Part Number	Description
FM1.5 ⁺ /ANSI	FM1.5 ⁺ unit with 4,000 magnet cartridge, cleaning tool & cleaning tray
FM2.0 ⁺ /ANSI	FM2.0 ⁺ /ANSI unit with 4,000 magnet cartridge, cleaning tool & cleaning tray
FM1.5 ⁺ /ANSI /11K	FM1.5 ⁺ /ANSI unit with 11,000 magnet cartridge, cleaning tool & cleaning tray
FM2.0 ⁺ /ANSI /11K	FM2.0 ⁺ /ANSI unit with 11,000 magnet cartridge, cleaning tool & cleaning tray
FM1.5 ⁺ /ANSI/MC	4,000 magnet cartridge for FM1.5 ⁺ /ANSI units
FM2.0 ⁺ /ANSI/MC	4,000 magnet cartridge for FM2.0 ⁺ /ANSI units
FM1.5 ⁺ /ANSI /MC11K	11,000 magnet cartridge for FM1.5 ⁺ /ANSI units
FM2.0 ⁺ /ANSI /MC11K	11,000 magnet cartridge for FM2.0 ⁺ /ANSI units
FM2.0 ⁺ /ANSI /MB0.5	Optional 0.5mm mesh basket for FM2.0 ⁺ /ANSI units
FM2.0 ⁺ /ANSI/MB1.0	Optional 1.0mm mesh basket for FM2.0 ⁺ /ANSI units
FM1.5 ⁺ /ANSI /VS	Spare Viton seal for FM1.5 ⁺ /ANSI units
FM2.0 ⁺ /ANSI /VS	Spare Viton seal for FM2.0 ⁺ /ANSI units

Magnetic Performance

Maximum Pressure 290psi
Magnetic Performance Standard option 4,000 gauss, high intensity option 11,000 gauss

Magnet material Rare earth neodymium iron boron
NdFeB

Magnet grade N35 (Standard option)

N45 (High intensity option)

Temperature 23 to 176F

Materials

Housing 304 Grade Stainless Steel

Lid 304 Grade Stainless Steel

Tube 316 Grade Stainless Steel

Surface finish External-powder coated

Sealing Viton O-ring

Mesh strainer 304 Grade Stainless Steel

Swing bolts High tensile steel

Cleaning Tool Stainless steel

Mesh strainer options (FM2.0⁺/ANSI only) 0.02inches and 0.04inches aperture size

If you have any more questions, require technical assistance or would like a quotation, please contact us.

www.eclipsetoolsinc.com

Eclipse Tools North America Inc.

442 Millen Road, Unit #9, Stoney Creek, Ontario, L8E 6H2, Canada

T 1-800-260-2124 F 1-800-260-1410

sales@eclipsetoolsinc.com www.eclipsetoolsinc.com

While every effort has been made to ensure the accuracy of the information in this publication please note that specifications may change without notice.



FM31278



A world leader in magnetic technology

