

# Sieve Magnet

High Intensity – Rare Earth

Datasheet No. 505



The Eclipse Magnetics sieve magnet is a unique lightweight, full stainless steel design which reduces the stress on the sieve that other types often cause.

The unit is positioned beneath the sieve screen (Fig. A) allowing excellent separation to be achieved. Due to the high intensity of the magnetic field within the unit, even sub-micron sized pieces of particles generated by the wear of the sieve screen can be successfully attracted.

## Cleaning

Simply remove the top pan and screen from the sieve.

The magnet can now be removed from the bottom pan and placed onto a non-magnetic surface.

Using the supplied cleaning tool, simply scrape all attracted contamination to each rod end where it can be removed.

## Suitable Products

Dry powders, granulates and liquids etc.

## Installation Location

Post sieve screen.

## Benefits

- Easy to clean
- Reduces 'spark' risk
- Meet audit requirements
- Removes sub-micron sized contaminants
- Protect against screen wear and failure
- Rare earth 9,000 Gauss 7,000 + 11,000
- Static dissipative all metal construction

## Category

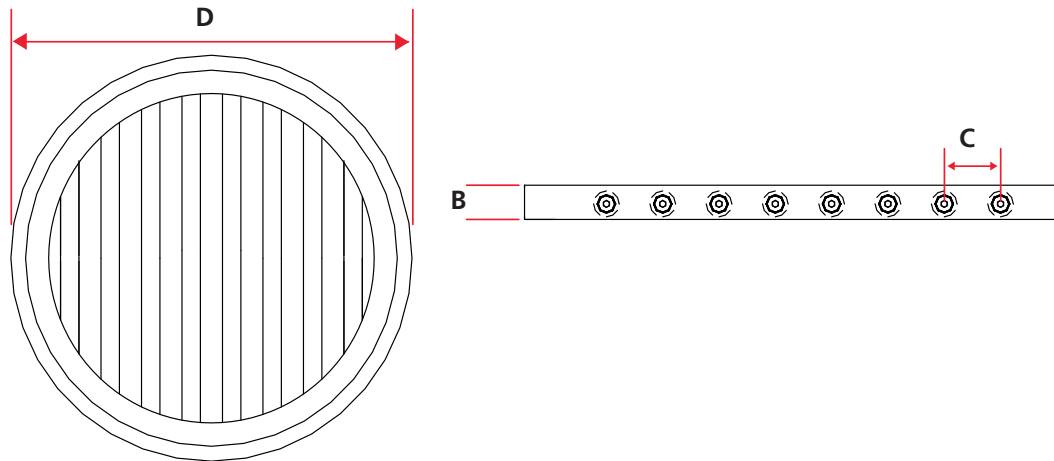
Secondary protection - fines.



Fig. A



# Technical Data



## Product Information

Part Number	D inches	B inches	C inches	No. Rods	Weight kg	Weight lb	To be used in types
SMRF	21.5	1.25	2.36	8	14	31lb	RussellFinex-Compact
SMFG	21.5	1.25	2.36	8	14	31lb	Farleygreene-Sievmaster

## Performance

### Magnetic performance

7,000\* Gauss - standard strength  
 9,000 Gauss - high strength  
 11,000 Gauss - super high strength

### Performance reading

On tube surface

### Magnetic material

Rare earth neodymium iron boron

### Magnet grade

N35 and N45 – Inspected and confirmed via hysteresis prior to use

### Temperature

-4°F / +194°F

## Materials

### Frame

316 grade stainless steel

### Tubing

316 grade stainless steel – aerospace quality

### Surface finish

Polished to 0.6µm

### Sealing

Please see options below

## Options

- High temperature samarium cobalt magnetic material +482°F
- Magnet and screen metal detectable silicon rubber seal – dark blue, FDA approved
- Pharmaceutical specification
- ATEX certified

\*7,000 Gauss should be selected for bread flour applications to allow for permissible iron oxide.

If you have any more questions, require technical assistance or would like a quotation, please contact us.

[www.eclipsetoolsinc.com](http://www.eclipsetoolsinc.com)

### Eclipse Tools North America Inc.

442 Millen Road, Unit 9, Stoney Creek, Ontario, L8E 6H2, Canada

T 1-800-260-2124 F 1-800-260-1410

sales@eclipsetoolsinc.com www.eclipsetoolsinc.com

While every effort has been made to ensure the accuracy of the information in this publication please note that specifications may change without notice.

