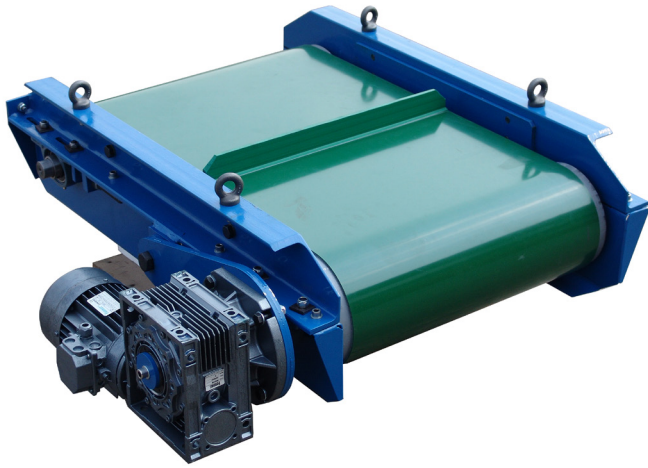


# Permanent Magnet Overband

Ceramic Magnetic Material

Datasheet No. 605



Permanent Plate Magnets are used in recycling, quarrying and heavy industries.

These units can be placed above flat or trough type conveyors. Large permanent magnetic packs generate deep penetrating magnetic flux fields that attract and remove 'tramp' type steel items.

This unit is considerably cheaper to purchase and run than electro-magnetic units, the only power consumption is for the geared drive.

When considering installation points it should be noted that steel belt support rollers will need to be changed to non-magnetic ones due to possible flux field absorption.

## Cleaning

Overband magnets have a continuously running belt which takes away and deposits all attracted contamination. Carry-over cleats are fitted to ensure that contamination cannot remain on the belt. It can operate 24 / 7 operation without operator intervention.

## Suitable Products

All conveyable products, wood chip, biomass, recyclables, aggregates, coal etc.

## Suitable Locations

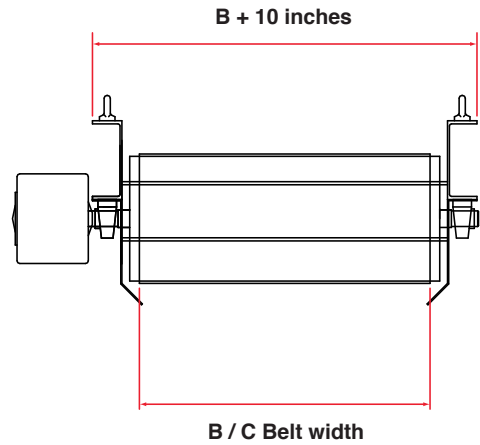
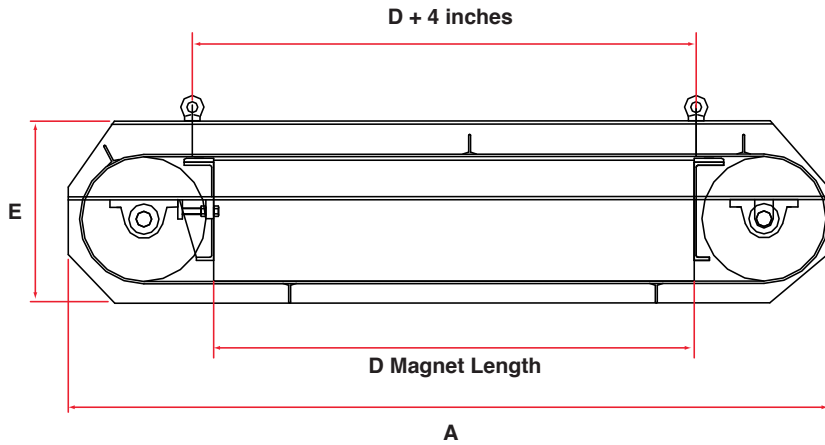
Above transfer conveyors, vibratory feeder outlets etc.

## Benefits

- Continuous self cleaning
- Allows difficult products to be screened
- High volume capacity
- Designed for 24 / 7 operation
- Removes large to medium sized contamination

## Category

Primary protection tramp.



## Product Information

Part Number	A inches	B / C inches	D inches	E inches	Motor kW	Weight kg	Weight lb
<b>100 Series</b>							
OM100 / 300	28	14	12	5	0.18	160	353
OM100 / 450	34	14	18	5	0.18	205	452
OM100 / 550	38	14	22	5	0.18	240	529
OM100 / 650	42	14	26	5	0.18	270	595
<b>200 Series</b>							
OM200 / 550	42	24	22	14	1.00	680	1499
OM200 / 650	46	24	26	14	1.00	770	1698
OM200 / 850	56	24	33	14	1.00	820	1808
OM200 / 1050	64	24	41	14	1.50	970	2139
OM200 / 1250	72	24	49	14	2.20	1120	2469
<b>300 Series</b>							
OM300 / 800	58	31	31	18	1.50	1700	3748
OM300 / 1050	68	31	41	18	2.20	2150	4740
OM300 / 1250	76	31	49	18	2.20	2500	5512
OM300 / 1500	86	31	59	18	2.20	2850	6283
OM300 / 1750	95	31	69	18	2.20	3200	7055

## Performance

### Magnetic material Magnetic Field Depth

Ceramic strontium ferrite  
100 Series = 4 inches\* –  
200 Series = 8 inches\* –  
300 Series = 12 inches\*

### Temperature

-4°F / +140°F

\*Mild steel test piece 0.2inch Ø × 1 inch long

## Materials

### Frame Rollers Electrical Spec

Powder coated mild steel  
Mild steel  
415 / 380 Volts industrial three  
phase IP65 rated motor gearbox  
Vulcanised rubber with  
ultrasonically welded cleats  
Galvanised forged steel eyes

### Belting

### Lifting Points

## Options

Safety electrical interface  
Hydraulic drive motor  
Armoured belting  
Tapered rollers to enable angled operation

If you have any more questions, require technical assistance or would like a quotation, please contact us.

[www.eclipsetoolsinc.com](http://www.eclipsetoolsinc.com)

### Eclipse Tools North America Inc.

442 Millen Road, Unit 9, Stoney Creek, Ontario, L8E 6H2, Canada

T 1-800-260-2124 F 1-800-260-1410

sales@eclipsetoolsinc.com www.eclipsetoolsinc.com

While every effort has been made to ensure the accuracy of the information in this publication please note that specifications may change without notice.