

Electro-holding magnet

Energise to hold - 100mm diameter

12VDC or 24VDC Operating voltage

Part numbers
M52184/12vdc
M52184/24vdc



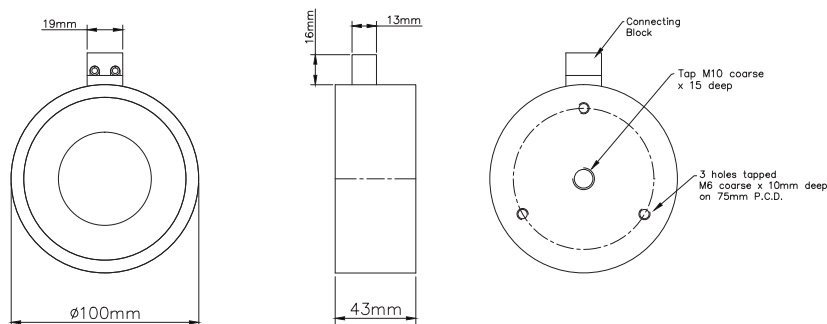
Pull gaps

Air gap (mm)	Magnetic Pull* (N)
0.00	3600
0.09	3060
0.18	2820
0.27	2240
0.36	1640
0.59	1340
1.00	480

* +/- 10% at room temperature

To achieve the optimum pull force 100% contact area must be achieved using the recommended armature plate. The force will be affected if other material specifications, thicknesses and surfaces are used, or if the armature fails to make positive contact over the full diameter of the face of the magnet. Where misalignment is likely to be an issue we recommend that an oversized armature plate is used to ensure 100% full contact, this however will reduce the stated pull force by approximately 10%.

Dimensions



Description

Mountings	Threaded holes in rear face
Finish	Bright nickel plated with machined face
Product weight	2.2kg

Technical Data

Typical holding force	360N
ED rating	100%
IP Rating	54
Standard operating voltage	12VDC (M52184/12VDC) 24VDC (M52184/24VDC)
Current	12V - 1.850mA 24V - 0.940mA
Power consumption	2.2W

Connection type

12VDC and 24VDC	Two pole connector
------------------------	--------------------

Recommended armature plate



Finish	Bright nickel plated
Diameter	25mm
Height	12mm
Screw	M8
Part No.	M52171/100ARM
Weight	740g

If you have any more questions, require technical assistance and would like a quotation, simply contact us.

www.eclipsemagnetics.com

Eclipse Magnetics Ltd, Atlas Way, Sheffield, S4 7QQ, England
T +44 (0)114 225 0600 F +44 (0)114 225 0525 E info@eclipsemagnetics.com

While every effort has been made to ensure the accuracy of the information in this publication please note that specifications may change without notice.

