

## At A Glance



Protection: Secondary



Feed Type: Gravity



Material Type: NdFeb



Cleaning Type: Manual

**Our high intensity magnetic easy clean housed grids offer unsurpassed levels of contamination removal, removing sub-micron ferrous and para-magnetic contamination from the most demanding and arduous of process environments.**

The unit contains one high intensity easy clean magnetic grid. The grid is secured into the housing by tri-cone locking nuts which ensure even pressure is generated around the food grade seal.

It is common to have numerous units installed throughout a processing facility to ensure contamination is removed at source of generation. All dry powders and granular type materials can be processed through the unit. Electrical safety interlocks can be fitted to the grid to stop the process should it be accidentally opened.



## Benefits

- Easy to clean
- Removes micron sized contaminants
- High collection capacity
- Reduces 'spark' risk

## Performance

Magnetic Performance	7000, 9000, 10000
Performance Reading	On tube surface
Magnet Grade	N35 & N45 – Inspected and confirmed via hysteresograph prior to use
Temperature	-4°F / +194°F
Pressure	+ / - 3 psi

## Suitability

Suitable Products	Dry powders and granulates
Suitable Location	Inlet / outlet points, pre- / post-silo and machinery points

## Materials

Magnetic Material	Rare Earth Neodymium Iron Boron - (NdFeb)
Housing	316 grade stainless steel
Tubing	316 grade stainless steel
Sealing	Self adhered white foam
Tri-cone Nuts	Stainless Steel
Surface Finish	Brushed internally / Polished externally to 0.6µm

## Cleaning

When the unit requires cleaning, simply remove the outer grid securing tri-cone locking nuts and remove the grid from the housing. Remove the central tri-cone locking nut and separate the grid assembly allowing all attracted contamination to simply fall away.

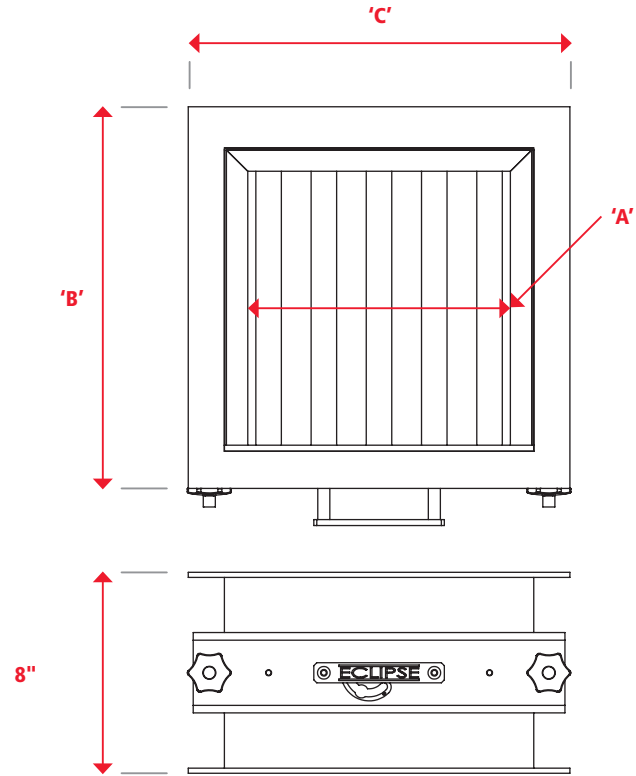
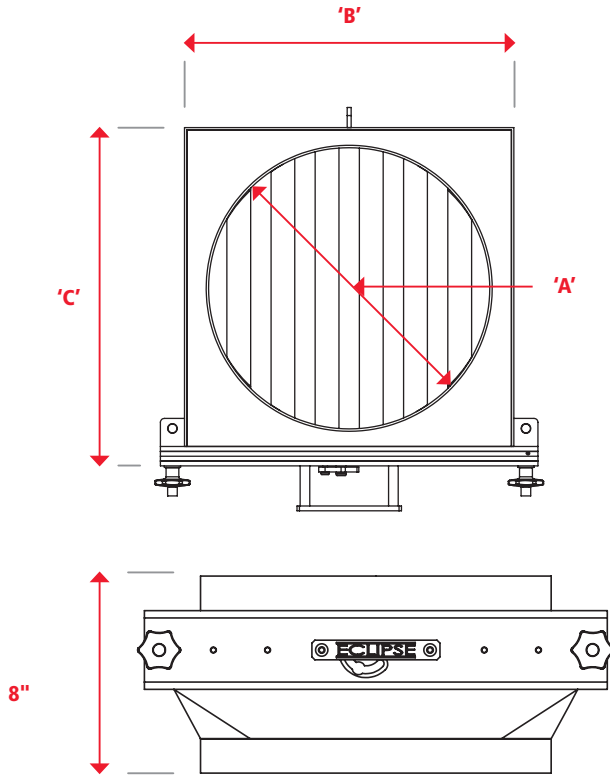
## Options

- Stainless Steel Toggle Clamps
- Larger sizes available
- Pharmaceutical specification
- Safety relay switches
- Metal Detectable Seal
- Higher temperature versions available

# Housed Easy Clean Grid – Single

Round

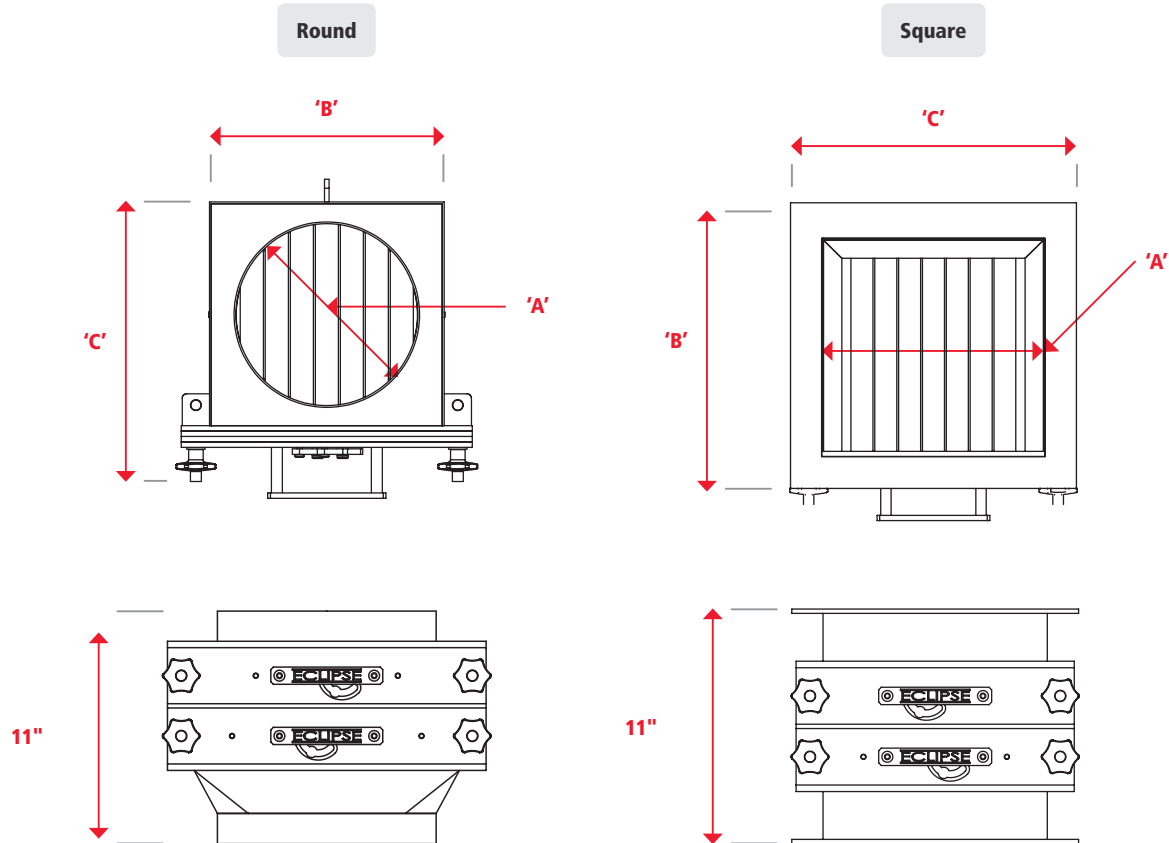
Square



Part Number (Round)	A (inches)	B (inches)	C (inches)	Number Of Rods
ECHS100	4	6	7	2
ECHS150	6	8	9	3
ECHS200	8	10	11	4
ECHS250	10	12	13	5
ECHS300	12	14	15	6
ECHS350	14	16	17	7
ECHS400	16	18	19	8
ECHS450	18	20	21	9
ECHS500	20	22	22	10

Part Number (Square)	A (inches)	B (inches)	C (inches)	Number Of Rods
ECHS1515	6	9	9	2
ECHS2020	8	11	11	3
ECHS2525	10	13	13	4
ECHS3030	12	15	15	5
ECHS3535	14	17	17	6
ECHS4040	16	19	19	7
ECHS4545	18	21	21	8
ECHS5050	20	22	23	9

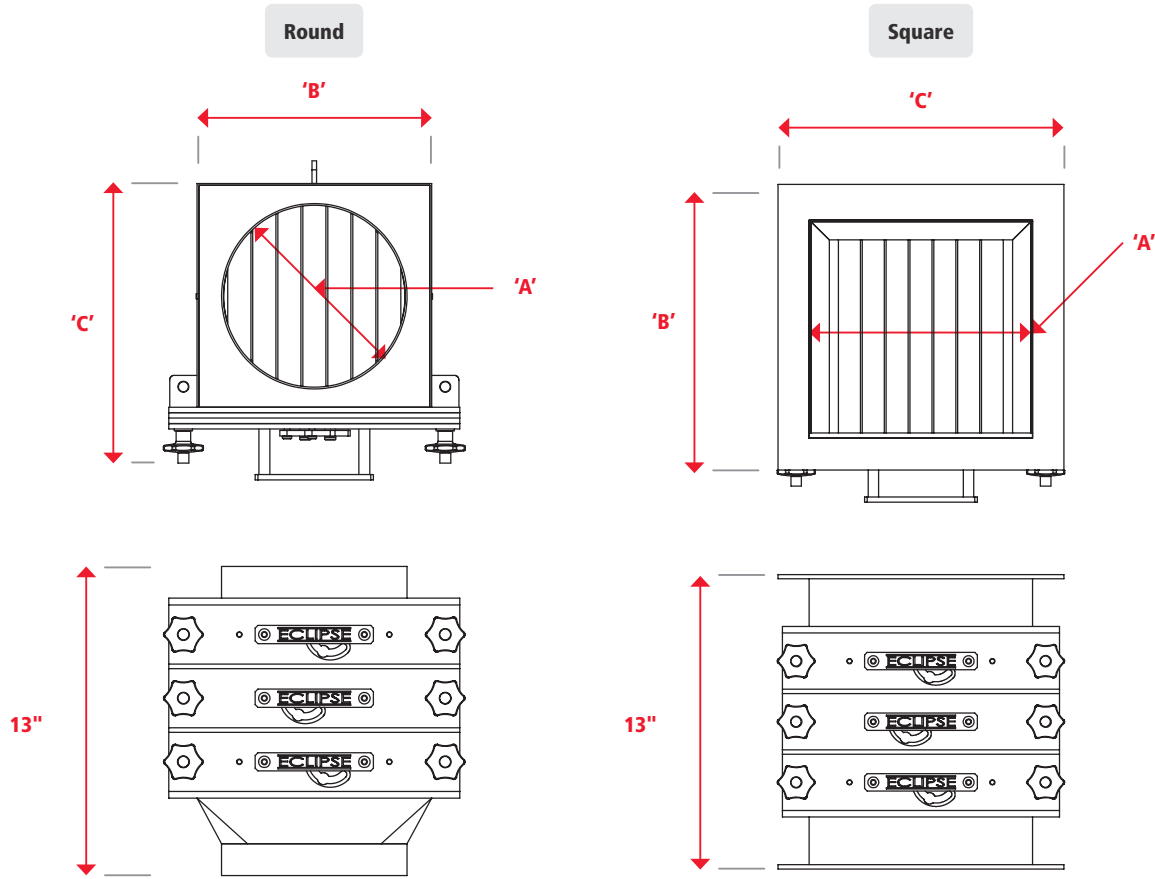
# Housed Easy Clean Grid – Double



Part Number (Round)	A (inches)	B (inches)	C (inches)	Number Of Rods
ECHD100	4	6	7	1 + 2
ECHD150	6	8	9	2 + 3
ECHD200	8	10	11	3 + 4
ECHD250	10	12	13	4 + 5
ECHD300	12	14	15	5 + 6
ECHD350	14	16	17	6 + 7
ECHD400	16	18	18	7 + 8
ECHD450	18	20	20	8 + 9
ECHD500	20	22	22	9 + 10

Part Number (Square)	A (inches)	B (inches)	C (inches)	Number Of Rods
ECHD1515	6	9	9	2 + 1
ECHD2020	8	11	11	3 + 2
ECHD2525	10	13	13	5 + 3
ECHD3030	12	15	15	5 + 4
ECHD3535	14	17	17	6 + 5
ECHD4040	16	19	19	7 + 6
ECHD4545	18	21	21	8 + 9
ECHD5050	20	22	23	9 + 8

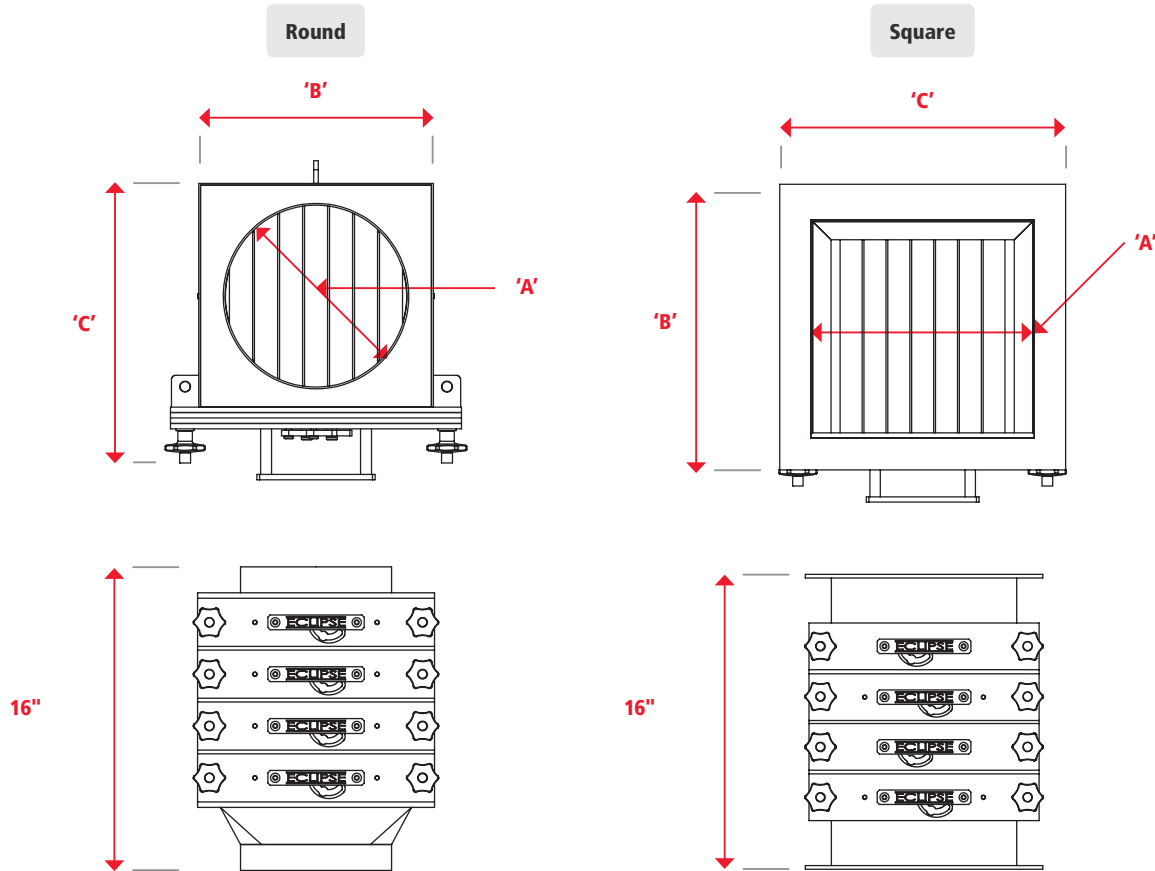
# Housed Easy Clean Grid – Triple



Part Number (Round)	A (inches)	B (inches)	C (inches)	Number Of Rods
ECHT100	4	6	7	1 + 2 + 1
ECHT150	6	8	9	2 + 3 + 2
ECHT200	8	10	11	3 + 4 + 3
ECHT250	10	12	13	4 + 5 + 4
ECHT300	12	14	15	5 + 6 + 5
ECHT350	14	16	17	6 + 7 + 6
ECHT400	16	18	19	7 + 8 + 7
ECHT450	18	20	21	8 + 9 + 8
ECHT500	20	22	23	9 + 10 + 9

Part Number (Square)	A (inches)	B (inches)	C (inches)	Number Of Rods
ECHT1515	6	9	9	1 + 2 + 1
ECHT2020	8	11	11	2 + 3 + 2
ECHT2525	10	13	13	3 + 4 + 3
ECHT3030	12	15	15	4 + 5 + 4
ECHT3535	14	17	17	5 + 6 + 5
ECHT4040	16	19	19	6 + 7 + 6
ECHT4545	18	21	21	7 + 8 + 7
ECHT5050	20	23	23	8 + 9 + 8

# Housed Easy Clean Grid – Quadruple



Part Number (Round)	A (inches)	B (inches)	C (inches)	Number Of Rods
ECHQ100	4	6	7	1 + 2 + 1 + 2
ECHQ150	6	8	9	2 + 3 + 2 + 3
ECHQ200	8	10	11	3 + 4 + 3 + 4
ECHQ250	10	12	13	4 + 5 + 4 + 5
ECHQ300	12	14	15	5 + 6 + 5 + 6
ECHQ350	14	16	17	6 + 7 + 6 + 7
ECHQ400	16	18	19	7 + 8 + 7 + 8
ECHQ450	18	20	21	8 + 9 + 8 + 9
ECHQ500	20	22	23	9 + 10 + 9 + 10

Part Number (Square)	A (inches)	B (inches)	C (inches)	Number Of Rods
ECHQ1515	6	9	9	1 + 2 + 1 + 2
ECHQ2020	8	11	11	2 + 3 + 2 + 3
ECHQ2525	10	13	13	3 + 4 + 3 + 4
ECHQ3030	12	15	15	4 + 5 + 4 + 5
ECHQ3535	14	17	17	5 + 6 + 5 + 6
ECHQ4040	16	19	19	6 + 7 + 6 + 7
ECHQ4545	18	21	21	7 + 8 + 7 + 8
ECHQ5050	20	23	23	8 + 9 + 8 + 9