





## At A Glance

-  **Protection: Secondary**
-  **Feed Type: Pumped / Liquid Line**
-  **Material Type: NdFeb**
-  **Cleaning Type: Manual**

**Our high intensity liquid filter magnetic separator has been designed to operate in pressurised transfer lines to provide protection against ferrous and para-magnetic contamination.**

The housing comprises a vessel, magnetic lid assembly and band clamp, which secures the unit together. The filter is available in two versions, single wall and double wall (jacketed for heated pipelines).

The filter can be used in any line that processes liquids at all viscosity levels and can be installed at any angle from vertical to horizontal. A common installation location is tanker loading and discharge to inspect outgoing and incoming materials. The filter can be supplied to suit various processing volumes, pressures, temperatures and specifications.



## Benefits

- Easy to clean
- No consumables
- Meets audit requirements
- Removes sub-micron sized contaminants

## Performance

Magnetic Performance	7000, 9000, 10000, 11000 (Fixed) & 12000 (Fixed) Gauss
Performance Reading	On tube surface
Magnet Grade	N35 & N45 – Inspected and confirmed via hysteresograph prior to use
Temperature	- 4°F / + 194°F
Pressure	+ 87 psi

## Suitability

Suitable Products	Chocolate, molasses, jam, syrup, juice, sauce, pastes, soup, pickles, spreads, beverages etc.
Suitable Location	All, vertical, horizontal or angled

## Materials

Magnetic Material	Rare Earth Neodymium Iron Boron - (NdFeb)
Housing	316 grade stainless steel
Tubing	316 grade stainless steel
Other Parts	304 grade stainless steel
Sealing	Silicon rubber O-ring
Surface Finish	Brushed internally / Polished externally to 1.2µm

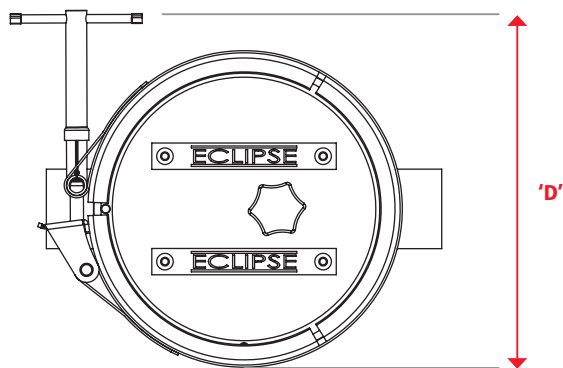
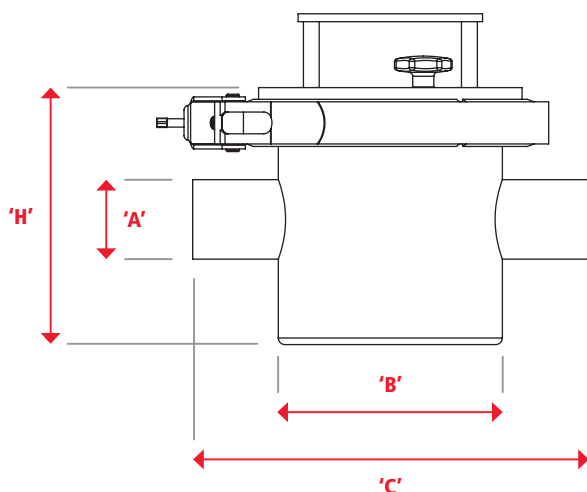
## Cleaning

To clean, simply release the quick release band clamp, remove the contaminated cartridge from the housing and remove the magnetic cores from the tube assembly. All attracted contamination can be easily removed allowing for inspection or further analysis.

## Options

- Pharmaceutical specification
- Safety relay switch
- Higher temperature versions available
- Overpressure to 30 Bar
- Hygienic Fittings

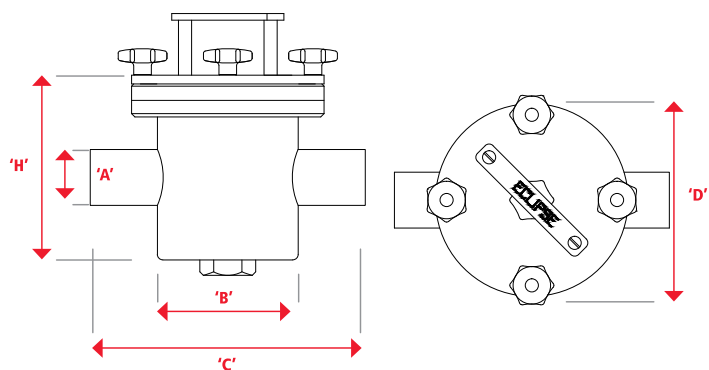
# Liquid Filter



Part Number (Single Wall)	Spout Dia. A (inches)	Dia. B (inches)	C (inches)	D (inches)	H (inches)	Number Of Rods	Weight (lbs)
ILF110/50 (See diagram below)	1.5	5	10	7	6	3	5
ILF150/75 (See diagram below)	2	6	11	8	7	5	8
ILF200/50	2	7	14	10	8	7	49
ILF200/75	3	7	14	10	8	7	49
ILF300/50	2	10	18	14	12	9	79
ILF300/75	3	10	18	14	12	9	79
ILF300/100	4	10	18	14	12	9	79

Part Number (Jacketed)	Spout Dia. A (inches)	Dia. B (inches)	C (inches)	D (inches)	H (inches)	Number Of Rods	Weight (lbs)
ILF200/50/J	2	8	14	8	8	7	49
ILF200/75/J	3	8	14	8	8	7	49
ILF300/50/J	2	12	18	12	12	9	79
ILF300/75/J	3	12	18	12	12	9	79
ILF300/100/J	4	12	18	12	12	9	79

ILF110/50



ILF150/75

