

Ultralift LM Lifting Magnet

Manually operated general purpose lifter

Datasheet no. 302

Excellent performance to weight ratio achieved by using high-energy neodymium magnets arranged in an efficient magnetic circuit. Superb holding force for a safe, reliable lift.

Locking switch on clamping mechanism prevents accidental switching.

Suitable for

Ferrous sheet/plate thicknesses greater than 0.8" maximum weight of 4400lbs

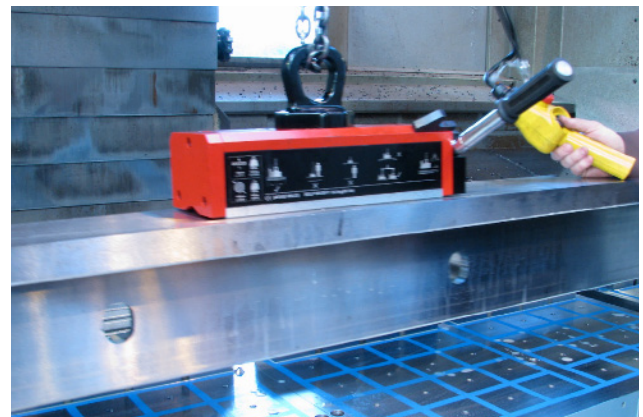
Ferrous round bar up to 24" diameter maximum weight of 1760lbs

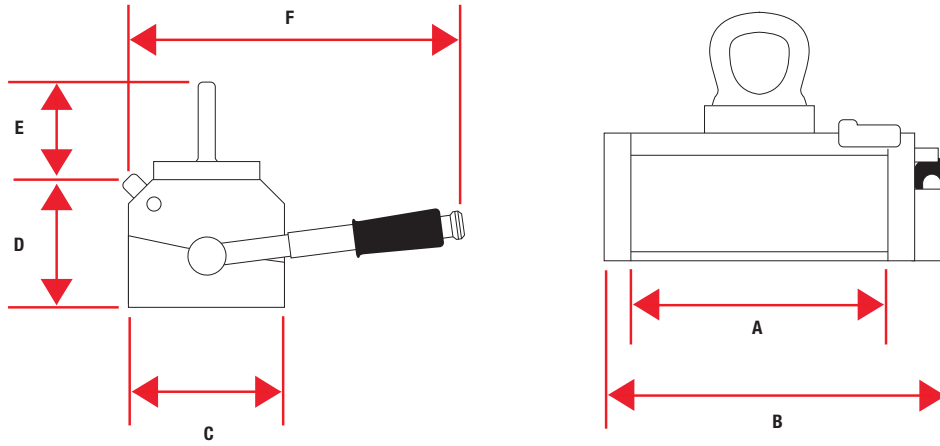
Suitable locations

Machine shops, fabrication shops, steel stockholders, manufacturers

Benefits

- Easy to install
- Simple one man operation
- No power required
- Load surface not marked
- High performance magnet material providing high performance at a lower weight
- Save space as access is only needed to the top of the load
- Handle locking mechanism ensures safe lifting





Product Information

Product	Self Weight (lbs)	Dimensions (inches)						Length Max (inches)	Flat Section		Round Section	
		A	B	C	D	E	F		SWL* (lbs)	Thickness Min (inches)	SWL* (lbs)	Diameter Max (inches)
LM0275	9.9	4.3	5.9	3.0	2.4	2.1	5.9	60	275	0.8	110	10
LM0550	18.7	6.5	8.3	3.5	2.8	3.0	7.9	60	550	1.0	220	12
LM1100	38.5	8.9	11.1	4.2	3.5	4.1	9.6	80	1100	1.2	440	16
LM2200	80.3	12.8	15.4	5.4	4.1	4.4	14.4	120	2200	1.8	880	18
LM4400	173.8	15.7	19.0	7.3	5.2	6.7	20.7	120	4400	2.2	1760	24

*Safe working load

Performance

SWL performance criteria

Flat ground mild steel plate of thickness, equal to or greater than the specified minimum thickness

Magnetic material

Rare earth neodymium iron boron

Temperature

14°F / 176°F

Maximum humidity

80%

Materials

End plates

Aluminium - painted

Housing

Mild steel

Pole feet

Mild steel - plated

Conformity

The Ultralift Plus range conforms to the following:

Machinery Directive 98/37/CE

BS EN ISO12100-1 Basic Engineering Principles

BS EN 13155:2003 Cranes safety: non-fixed load lifting attachments

SS7665601 Swedish standards for magnetic lifting devices

ASME B30.20

If you have any more questions, require technical assistance and would like a quotation, contact us.

www.eclipsetoolsinc.com

Eclipse Tools North America Inc.

442 Millen Road, Unit #9, Stoney Creek, Ontario, L8E 6H2, Canada T: 1-800-260-2124 F: 1-800-260-1410

E: sales@eclipsetoolsinc.com www.eclipsetoolsinc.com

While every effort has been made to ensure the accuracy of the information in this publication please note that specifications may change without notice.



FM31278